

PUPPET RING

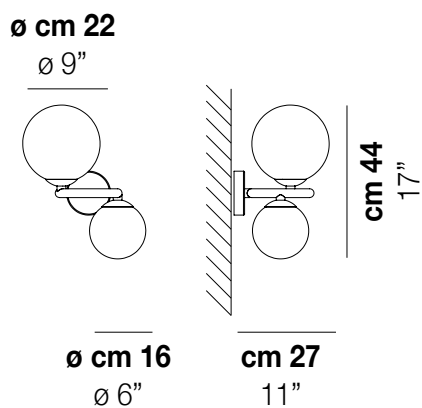
Design Romani Saccani Architetti Associati

PUPPET RING AP 2



The distinctive feature of this model from the Puppet Ring collection are the rings with increasing diameter. They can be combined in different sequences to form the framework on which the precious glass spheres in three different sizes are placed, blending with the structure thanks to a preformation inside the blown glass. Aesthetically light and elegant, Puppet Ring ethereally combines crystal, smoky, amber and shaded white glass with gold and black matt nickel finishes.

PUPPET RING AP 2



TECHNICAL DATA:



CERTIFICATIONS:



LIGHT SOURCES

2x60W 220-240 V G9
50/60 Hz

VOLUME Mc 0,11
 GROSS WEIGHT Kg 8
 NET WEIGHT Kg 4

download



SHADE FINISHING



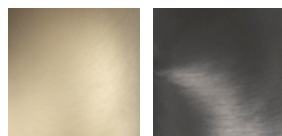
AMTR

BCSF

CRTR

FUTR

FRAME FINISHING



BKS

NNS